

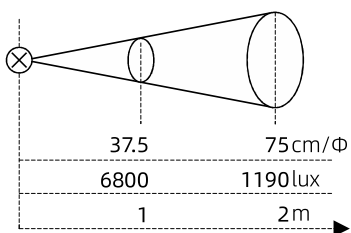
ExMP31N

Explosion Proof LED Torch



Description

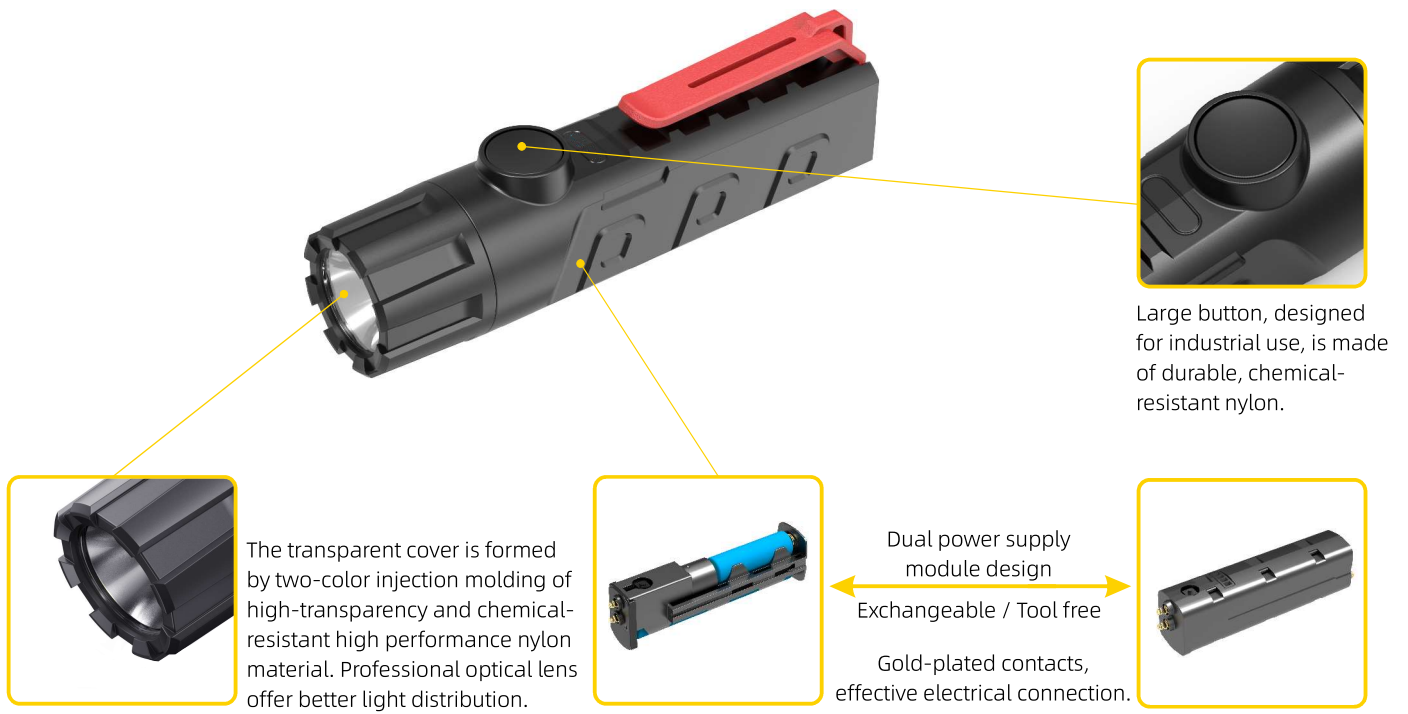
- Suitable for explosive environment class I, class II zone 0, 1, 2, class III zone 21, 22 and other professional portable lighting.
- Intrinsically safe explosion-proof design.
- The body is made of high performance nylon. It features as lightweight, anti-aging, anti-corrosion, impact-resistant and easy to carry.
- Professional optical lens design, soft illumination, uniform spot, in line with GB 30734 fire protection standard.





Parameters

Certifications:	IECEX, ATEX, EAC
Ex mark:	IECEX: Ex ia I Ma; Ex ia IIB T4/T3 Ga; Ex ib IIC T4/T3 Gb; Ex ib IIIB T130°C Db ATEX: I M1 Ex ia I Ma; II 1 G Ex ia IIB T4/T3 Ga; II 2 G Ex ib IIC T4/T3 Gb; II 2 D Ex ib IIIB T130°C Db
Usage:	I, II Zone 0/1/2, and III Zone 21/22
Working ambient temp.:	-40°C ≤ Ta ≤ +55°C (T3) / -40°C ≤ Ta ≤ +50°C (T4)
Ingress protection:	IP66/67
Rated voltage:	3×1.5V
CCT:	6500K
Luminous flux:	≥200lm (strong mode), ≥80lm (work mode), ≥80lm (SOS mode)
Run time:	≥9h (strong mode), ≥14h (work mode)
Beam distance:	≥165m (strong mode), ≥102m (work mode)
Battery type:	3×LR6AA (IEC60086)
Lifespan:	50,000h (without battery)

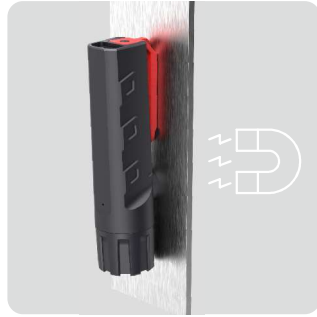
Features



Order specifications

Illustration	Description	Weight (g)	Order No.
	Explosion Proof LED Torch	195	ExMP31N
	Explosion Proof LED Torch (with magnetic)	210	ExMP31N-M

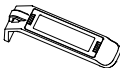

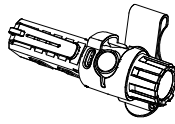
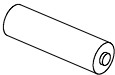
Installation diagram



Magnetic type. It can be adsorbed on the metal frame, freeing your hands when working.

The belt clip is used to buckle the torch. It is 360° adjustable and easy to plug in and out.

Spare parts

Illustration	Description	Weight (g)	Order No.
 Magnetic holder	/	15	1000/11-01-05-Ex
 Belt clip		42	1000/11-01-01
 Alkaline battery	1.5V (IEC60086)	24	LR6AA

Outline dimension (unit: mm)

