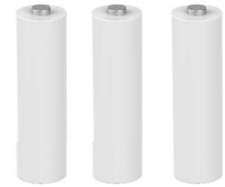
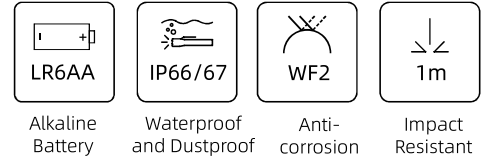




INMP31N

Industrial LED Torch



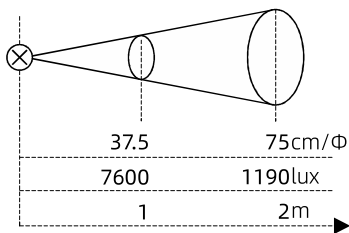
Alkaline Battery

Description

- Widely used for inspection, emergency repair and construction emergency lighting etc. in industrial area and professional industry.
- The body is made of high performance nylon. It features as lightweight, anti-aging, anti-corrosion, impact-resistant and easy to carry.
- Professional optical lens design, soft illumination, uniform spot, in line with GB 30734 fire protection standard.

Parameters



Certification:	CE
Working ambient temp.:	$-40^{\circ}\text{C} \leq T_a \leq +55^{\circ}\text{C}$
Ingress protection:	IP66/67
Corrosion-proof grade:	WF2
Rated voltage:	3×1.5V
CCT:	6500K
Luminous flux:	≥200lm (strong mode), ≥100lm (work mode), ≥100lm (SOS mode)
Run time:	≥9h (strong mode), ≥11h (work mode)
Beam distance:	≥174m (strong mode), ≥106m (work mode)
Battery type:	3×LR6AA (IEC60086)
Lifespan:	50,000 h (without battery)



Features



Order specifications

Illustration	Description	Weight (g)	Order No.
	Industrial LED Torch	195	INMP31N
	Industrial LED Torch (with magnetic)	210	INMP31N-M

Installation diagram



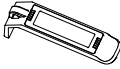

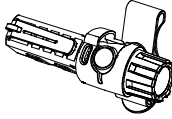
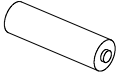
Magnetic type. It can be adsorbed on the metal frame, freeing your hands when working.



The belt clip is used to buckle the torch. It is 360° adjustable and easy to plug in and out.



Spare parts

Illustration	Description	Weight (g)	Order No.
<p>Magnetic holder</p> 	/	15	1000/11-01-05-IN
<p>Belt clip</p> 		42	1000/11-01-01
<p>Alkaline battery</p> 	1.5V (IEC60086)	24	LR6AA

Outline dimension (unit: mm)

